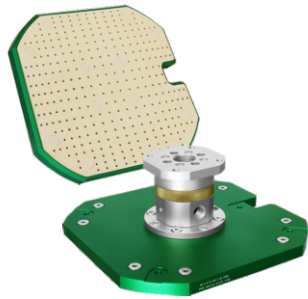


# Composite Suction Cups

## Composite Suction Cups MD-PEEK

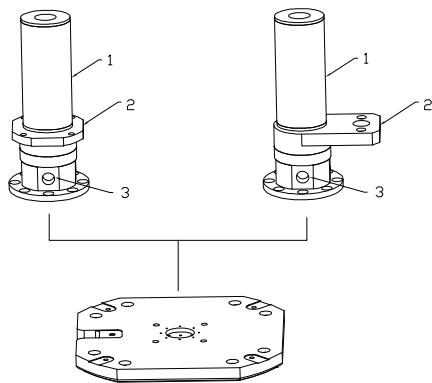
Composite Suction Cups MD-PEEK



### Introduction and application

- ◆ Fast, safe and accurate handling of silicon, cell and glass
- ◆ The handling process is non-polluting and will not affect the subsequent processing of the product.
- ◆ Size can be customized

System Design Composite Suction Cups MD-PEEK



### Design

- ◆ Silencer(1)
- ◆ (2) Axial mounting (A) or lateral mounting (S)
- ◆ (3) compressed air intake

### Ordering Data Composite Suction Cups MD-PEEK

Type	Ordering Data	Type	Ordering Data
MD-A-K-F-146x146 PEEK	90.13.01.00017	MD-A-K-F-170x105 PEEK	90.13.01.00025
MD-A-B-F-146x146 PEEK	90.13.01.00018	MD-A-B-F-170x105 PEEK	90.13.01.00026
MD-S-K-F-146x146 PEEK	90.13.01.00019	MD-S-K-F-170x105 PEEK	90.13.01.00027
MD-S-B-F-146x146 PEEK	90.13.01.00020	MD-S-B-F-170x105 PEEK	90.13.01.00028
MD-A-K-F-100x60 PEEK	90.13.01.00021	MD-A-K-F-130x65 PEEK	90.13.01.00029
MD-A-B-F-100x60 PEEK	90.13.01.00022	MD-A-B-F-130x65 PEEK	90.13.01.00030
MD-S-K-F-100x60 PEEK	90.13.01.00023	MD-S-K-F-130x65 PEEK	90.13.01.00031
MD-S-B-F-100x60 PEEK	90.13.01.00024	MD-S-B-F-130x65 PEEK	90.13.01.00032

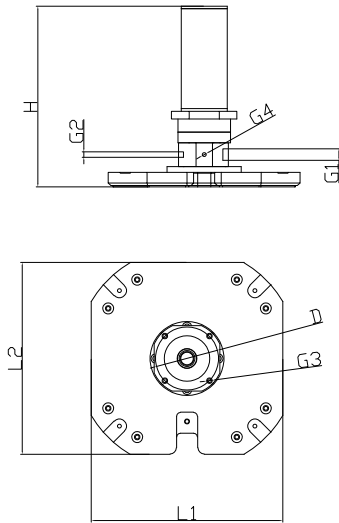
Note: A represents the axial installation of the upper flange; S represents the lateral installation of the upper flange; K represents the adjustable vacuum generator; B represents the non-adjustable vacuum generator; F represents the lower flange; (detailed data reference page P)

# Composite Suction Cups

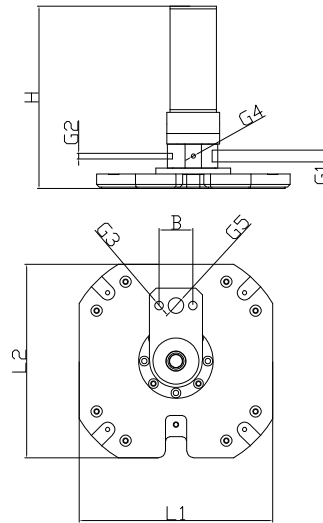
## Composite Suction Cups MD-PEEK

### Design Data Composite Suction Cups MD-PEEK

MD-A



MD-S



Type	Dimensions[mm]									
	L1	L2	H	D	G1	G2	G3	G4	G5	B
MD-A-K-F-146x146 PEEK	146	146	137.6	48	G1/8	M5	M5	M4	-	-
MD-A-B-F-146x146 PEEK	146	146	127.4	48	G1/8	M5	M5	M4	-	-
MD-S-K-F-146x146 PEEK	146	146	137.6	-	G1/8	M5	φ 6.6	M4	G1/4	25.5
MD-S-B-F-146x146 PEEK	146	146	127.4	-	G1/8	M5	φ 6.6	M4	G1/4	25.5
MD-A-K-F-100x60 PEEK	100	60	137.6	48	G1/8	M5	M5	M4	-	-
MD-A-B-F-100x60 PEEK	100	60	127.4	48	G1/8	M5	M5	M4	-	-
MD-S-K-F-100x60 PEEK	100	60	137.6	-	G1/8	M5	φ 6.6	M4	G1/4	25.5
MD-S-B-F-100x60 PEEK	100	60	127.4	-	G1/8	M5	φ 6.6	M4	G1/4	25.5
MD-A-K-F-170x105 PEEK	170	105	137.6	48	G1/8	M5	M5	M4	-	-
MD-A-B-F-170x105 PEEK	170	105	127.4	48	G1/8	M5	M5	M4	-	-
MD-S-K-F-170x105 PEEK	170	105	137.6	-	G1/8	M5	φ 6.6	M4	G1/4	25.5
MD-S-B-F-170x105 PEEK	170	105	127.4	-	G1/8	M5	φ 6.6	M4	G1/4	25.5
MD-A-K-F-130x65 PEEK	130	65	137.6	48	G1/8	M5	M5	M4	-	-
MD-A-B-F-130x65 PEEK	130	65	127.4	48	G1/8	M5	M5	M4	-	-
MD-S-K-F-130x65 PEEK	130	65	137.6	-	G1/8	M5	φ 6.6	M4	G1/4	25.5
MD-S-B-F-130x65 PEEK	130	65	127.4	-	G1/8	M5	φ 6.6	M4	G1/4	25.5

- Combined Suction Cups
- Vacuum Suction Cups
- Composite Suction Cups
- Special Grippers
- Vacuum Gripping Systems
- Mounting Elements
- Vacuum Generators
- Valve Technology
- Switch And Monitoring
- Vacuum Filters